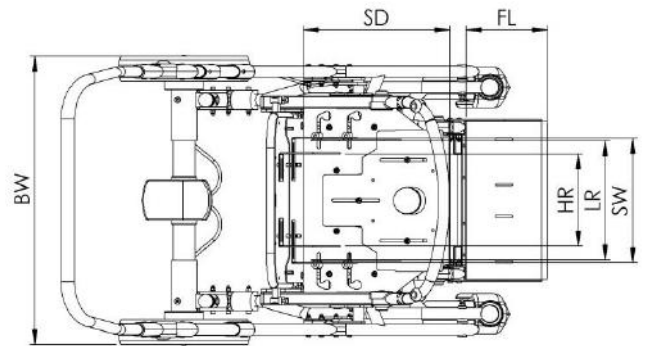
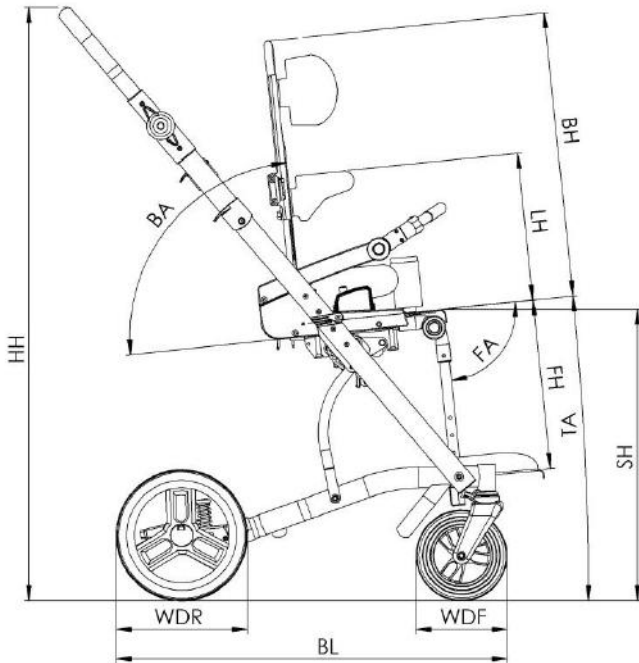




Rico Buggy

Technical Data



No.	Dimension name	Dimension symbol	Size	
			1	2
1	Seat height	SH	61 cm	61 cm
2	Back lenght	BH	43 ÷ 60 cm	48 ÷ 65 cm
3	Side support height	LH	14 ÷ 29 cm	18 ÷ 36 cm
4	Side support span	LR	16 ÷ 26 cm	16 ÷ 26 cm
5	Head support span	HR	13 ÷ 22 cm	13 ÷ 22 cm
6	Backrest angle	BA	20° ÷ 90°	20° ÷ 90°
7	Seat depth left side *	SDL	17 ÷ 29 cm	27 ÷ 39 cm
8	Seat depth right side *	SDR	17 ÷ 29 cm	27 ÷ 39 cm
9	Hip support span (seat width)	SW	15 ÷ 26 cm	17 ÷ 32 cm
10	Footplates height	FH	18 ÷ 36 cm	18 ÷ 36 cm
11	Footplates lenght	FL	17 cm	17 cm
12	Footplates adjustment angle	FA	0° ÷ 90°	0° ÷ 90°
13	Foot Platform adjustment angle	FA1	20° ÷ -20°	20° ÷ -20°
14	Back tilt	TA	45° ÷ -45°	45° ÷ -45°
15	Base lenght	BL	80 cm	80 cm
16	Base width	BW	58 cm	58 cm
17	Front wheel diameter	WDF	19 cm	19 cm
18	Rear wheel diameter	WDR	29 cm	29 cm
19	Push handle height	HH	75 ÷ 118 cm	75 ÷ 118 cm
20	Maximum patient's weight		30 kg	30 kg
21	Maximum loading of the buggy (patient's weight + extra loading)		33 kg	33 kg
22	Buggy weight		19 kg	19,5 kg

* - The depth can be adjusted independently